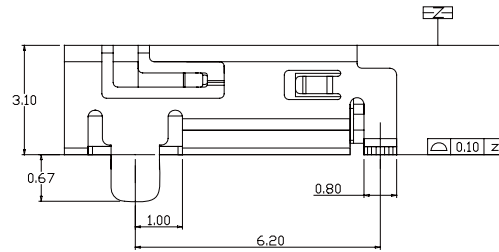
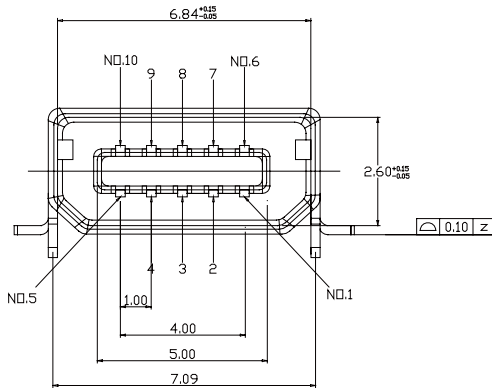


RECOMMENDED P.C.B. LAYOUT
TOLERANCE:±0.05 TOP VIEW

PartNo.:MUSB-F10M-U



No.	PARTS	Q'TY	MATERIAL
1	Housing	1	PA9T(CUL94-V0).BLACK
2	Contact Pin	5	C5191-EHT=0.15 UNDER PLATED 50u'MIN.NICKEL OVER ALL GOLD OVER ALL,GOLD PLATED IN CONTACT AREA
3	Contact Pin	5	C5191-EHT=0.15 UNDER PLATED 50u' MINNICKEL OVER ALL GOLD OVER ALL,GOLD PLATED IN CONTACT AREA
4	Shell Cover	1	C5210-EHT=0.25Tin 120u' OVERALL.

APPRO	CHECK	DRAWN	PART NO.	Part No.MUSB-F10M-U		
			ITEM NO.			
			DRAW NO.			
			UNIT	mm	SCALE	no
			TOLER		NO.	

DESCRIPTION

